

---

## SERVICE BULLETIN MAINTENANCE OF WAY EQUIPMENT

---

**DATE:** 5-2017

**BULLETIN NO:** 17-006

**TITLE:** 5075548 Fuel Tank Breather Upgrade Kit

**RATING:**

**DIRECTIVE**  
(Action Is Required)

**ALERT**  
(Potential Problem)

**INFORMATION**  
(Action Is Optional)

**PRODUCT IMPROVEMENT**  
(Enhance Product)

**PRODUCT SERIES / MODEL:** TR10 Tie Remover / Inserter

**SERIAL NO:** 5513094 and Up Through Year 2016

**SUMMARY:** When fueling the machine with a high volume fuel truck, it may be possible to surpass breather capacity to vent air from the fuel tank. This may cause fuel blow back at the filler neck.

To help prevent fuel bow back, Harsco Rail is making available 5075548 Fuel Tank Breather Upgrade Kit which contains a larger capacity breather vent pipe, breather and necessary hardware.

**OPERATIONAL IMPACT:** No operational impact is expected. Mounting of new vent pipe is exactly the same as original breather which is remotely mounted on mainframe.

**ACTION:** Follow the instructions in this Service Bulletin to remove the existing fuel tank breather vent pipe and breather and replace the with the new larger capacity vent pipe and breather.

**CONTACT:** If you have any questions or if we can be of any service, please contact:  
Harsco Rail Service Department  
Columbia, SC Facility  
(803) 822-7546

### SAFETY INFORMATION



- **FOLLOW APPLICABLE RAILROAD LOCKOUT - TAGOUT PROCEDURES TO DISABLE ENERGY SOURCES WHEN PERFORMING MAINTENANCE, MAKING ADJUSTMENTS OR REPAIRS TO THE MACHINE. FAILURE TO HEED THIS WARNING COULD RESULT IN SEVERE BODILY INJURY.**

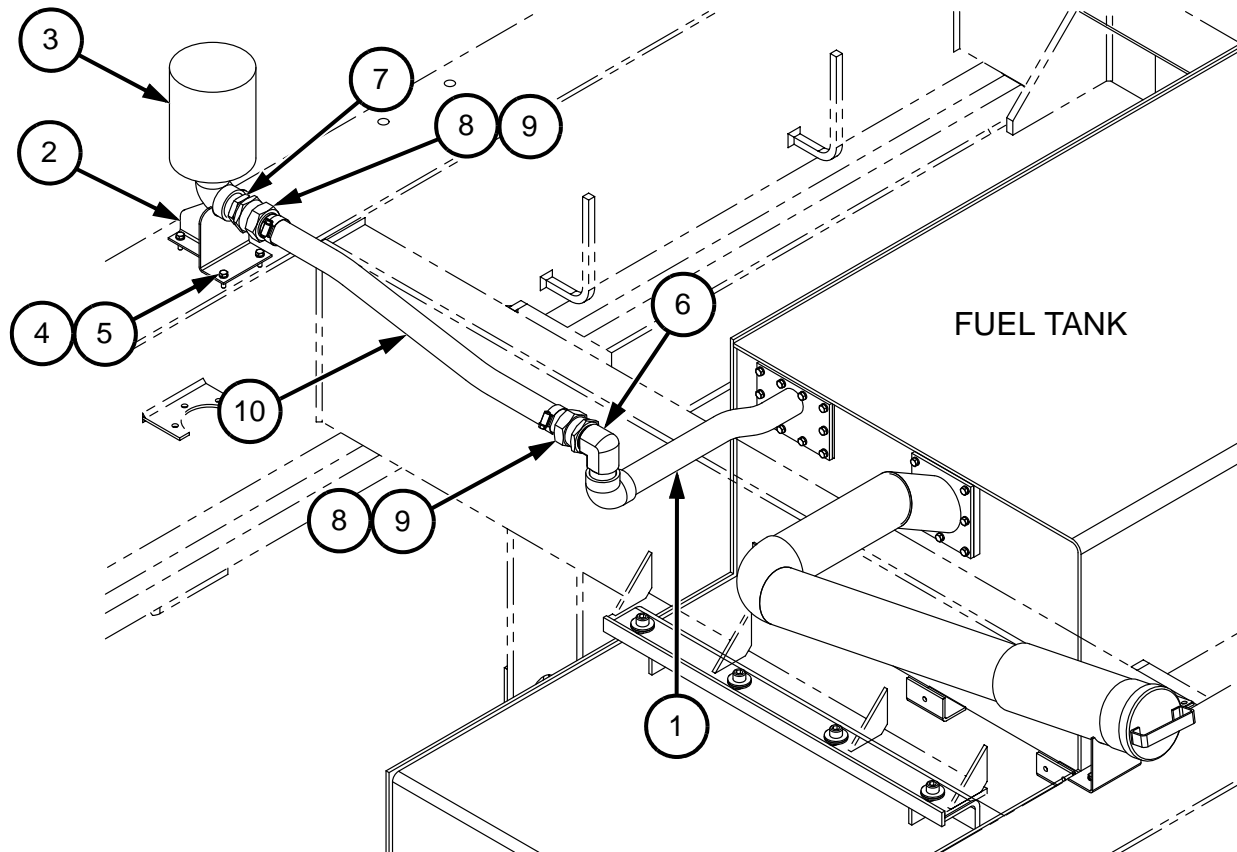
---

**Fuel Tank Breather Upgrade Kit Instructions - See Figure 1**

1. Remove the existing vent assembly components. Save the cap screw and lock washers that are used to attach the fuel tank vent to the fuel tank, they will be re-used.
2. Clean fuel tank vent mounting surface on the fuel tank using a wire brush, sandpaper, etc. being careful not to allow any debris to enter the fuel tank.
3. Apply a fuel resistant gasket sealant to the mounting surface on the fuel tank.
4. Using the existing bolts and lock washers, mount new fuel tank vent weldment (1).
5. Using the new breather support weldment (2) as a template, mark the four mounting holes on the on mainframe. Where the holes were marked, drill and tap 1/4"-20 threads, 3/4" deep.
6. Mount breather support weldment (2) to the main frame using hex head cap screws (5) and lock washers (4).
7. Use adapters and hose components (7, 8, 9 and 10) to connect between vent weldment (1) and breather support weldment (2).
8. Cut hose (10) to length making sure that there is not a low spot or dip in the hose which could trap fuel and restrict breather operation.
9. Install reservoir breather (3) on top of the breather support weldment (2).

**Fuel Tank Breather Upgrade Kit Instructions**

FIGURE 1  
FUEL TANK BREATHER ASSEMBLY



**5075548 Fuel Tank Breather Upgrade Kit**

ITEM	PART NO	DESCRIPTION	QTY
1	5073766	Weldment, Fuel Tank Vent . . . . .	1
2	5075350	Weldment, Breather Support . . . . .	1
3	5073782	Breather, Reservoir. . . . .	1
4	A0061008	Medium Lock Washer, 1/4" . . . . .	6
5	A0036004	Hex Head Cap Screw, 1/4-20 x 7/8" . . . . .	6
6	F012950	90° Elbow, 20 x 20 NPT . . . . .	1
7	F012582	Adapter, Straight, 20 x 20 NPT . . . . .	1
8	F021875	Swivel Nipple . . . . .	2
9	0-3012000-0-17	Hose Clamp . . . . .	2
10	158067-20	Hose, Single Wire Braid . . . . .	3 ft

**© 2017 HARSCO CORPORATION, ALL RIGHTS RESERVED**

306 West 4th Street  
Fairmont, MN  
56031-1837  
Tel: (507) 235-7376  
Fax: (507) 235-7372

401 Edmund Road, Box 20  
Cayce-West Columbia, SC  
29171-0020  
Tel: (803) 822-9160  
Fax: (803) 822-7403

200 South Jackson Road  
Ludington, MI  
49431  
Tel: (231) 843-3431  
Fax: (231) 843-1644

Printed In USA