
SERVICE BULLETIN MAINTENANCE OF WAY EQUIPMENT

DATE: 5-2017

BULLETIN NO: 17-007

TITLE: 5075543 Fuel Tank Fill Neck Reducer Kit

RATING:

DIRECTIVE
(Action Is Required)

ALERT
(Potential Problem)

INFORMATION
(Action Is Optional)

PRODUCT IMPROVEMENT
(Enhance Product)

PRODUCT SERIES / MODEL: TR10 Tie Remover / Inserter

SERIAL NO: 5513094 and Up Through Year 2016

SUMMARY: When fueling the machine, a smaller diameter fuel nozzle may not stay in place in the larger diameter fuel tank filler neck.

To help hold the fuel nozzle in place, Harsco Rail is making available 5075543 Fuel Tank Fill Neck Reducer Kit which contains a smaller diameter filler neck adapter and strainer.

OPERATIONAL IMPACT: No operational impact is expected. Mounting of new fuel filler adapter and strainer is exactly the same as the original strainer.

ACTION: Follow the instructions in this Service Bulletin to remove the existing fuel tank filler neck strainer and replace the with the new filler neck reducer and strainer.

CONTACT: If you have any questions or if we can be of any service, please contact:
Harsco Rail Service Department
Columbia, SC Facility
(803) 822-7546

SAFETY INFORMATION

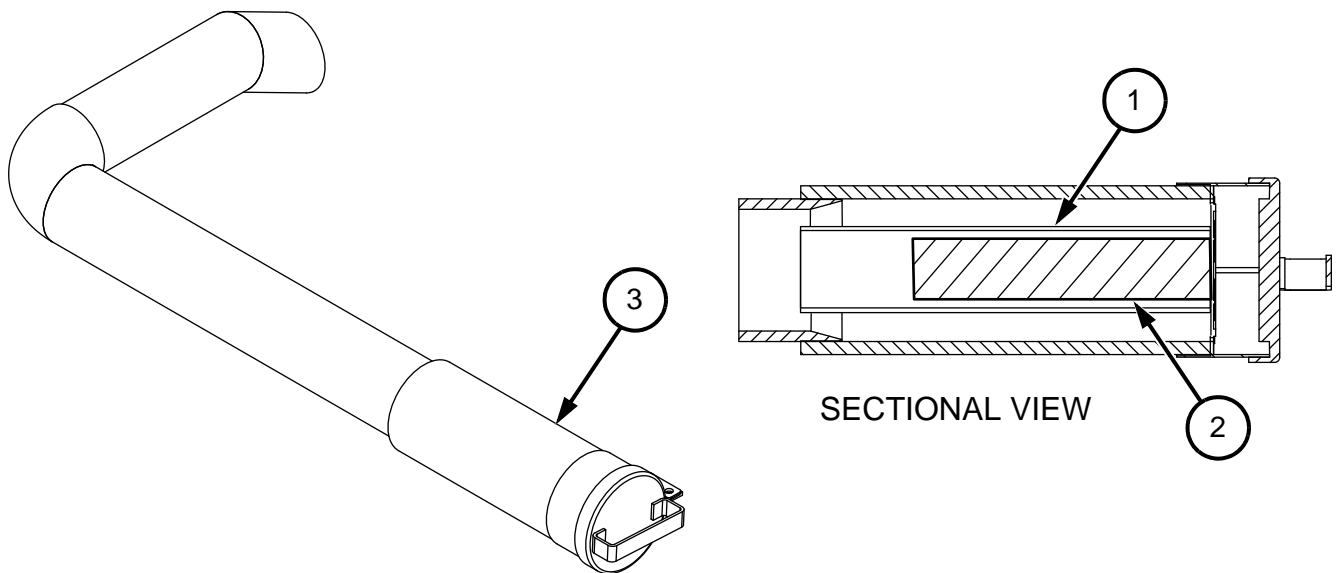


- **FOLLOW APPLICABLE RAILROAD LOCKOUT - TAGOUT PROCEDURES TO DISABLE ENERGY SOURCES WHEN PERFORMING MAINTENANCE, MAKING ADJUSTMENTS OR REPAIRS TO THE MACHINE. FAILURE TO HEED THIS WARNING COULD RESULT IN SEVERE BODILY INJURY.**

Fuel Tank Fill Neck Reducer Kit Instructions - See Figure 1

1. Remove old strainer from the fuel fill neck pipe (3). Retain the three screws for mounting of new fuel filler adapter (1).
2. Install new fuel filler adapter and secure with the three existing screws.
3. Insert new strainer (2) into fuel filler adapter (1).

FIGURE 1
FUEL TANK FILL NECK REDUCER



5075543 Fuel Tank Fill Neck Reducer Kit

ITEM	PART NO	DESCRIPTION	QTY
1	5073835	Fuel Filler Adapter	1
2	5074161	Strainer.....	1

© 2017 HARSCO CORPORATION, ALL RIGHTS RESERVED

306 West 4th Street
Fairmont, MN
56031-1837
Tel: (507) 235-7376
Fax: (507) 235-7372

401 Edmund Road, Box 20
Cayce-West Columbia, SC
29171-0020
Tel: (803) 822-9160
Fax: (803) 822-7403

200 South Jackson Road
Ludington, MI
49431
Tel: (231) 843-3431
Fax: (231) 843-1644

Printed In USA