
SERVICE BULLETIN

MAINTENANCE OF WAY EQUIPMENT

DATE: 4-2020

BULLETIN NO: 20-005

TITLE: HR1500 Series C Rear Unit Installation - 2020 Chevrolet 2500HD / 3500HD
With or Without OEM Hitch

RATING:

<input type="checkbox"/>	DIRECTIVE (Action Is Required)	<input type="checkbox"/>	ALERT (Potential Problem)
<input checked="" type="checkbox"/>	INFORMATION (Action Is Optional)	<input type="checkbox"/>	PRODUCT IMPROVEMENT (Enhance Product)

PRODUCT SERIES / MODEL: HR1500 Series C HY-RAIL® Units mounted on 2020 and newer Chevrolet Silverado 2500HD / 3500HD Trucks (excludes Chassis Cab)

SERIAL NO: N/A

SUMMARY: Harsco Rail has designed a robust installation for the HR1500 Series C HY-RAIL® Guide Wheel Units to 2020 Chevrolet 2500HD / 3500HD trucks. The standard mounting system allows the OEM towing hitch to remain in place. The mounting system utilizes the existing holes and threaded nuts found on the OEM towing hitch assembly. If the OEM towing hitch is not going to be re-installed then #5107599 Hitch Replacement Kit must be purchased to mount the guide wheel unit to the vehicle. This kit also includes replacement brackets to re-install the bumper to the truck if it is being re-used.

OPERATIONAL IMPACT: If the OEM towing hitch is not used, #5107599 Hitch Replacement Kit must be ordered before installation to prevent a delay in the application at the up-fitter or the up-fitter will need to make modifications to re-use a portion of the OEM towing hitch to install the guide wheel unit.

ACTION: Harsco Rail recommends that the customer and up-fitter be aware of the intended truck configuration and make sure to order all of the correct kits before beginning the installation.

CONTACT: HY-RAIL® Parts Sales: (507) 235-7143
HY-RAIL® Service: (507) 235-7137

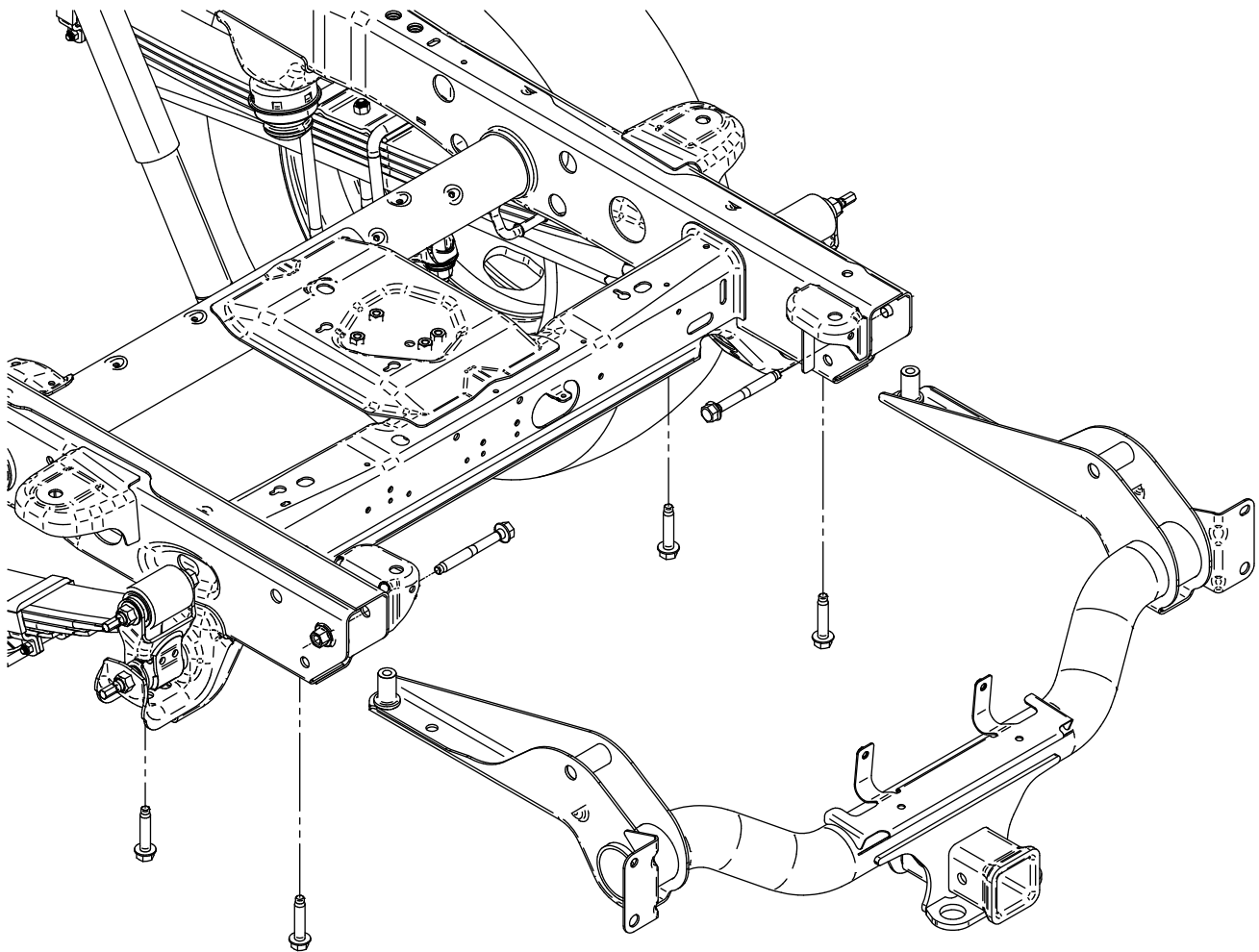
SAFETY INFORMATION

- **FOLLOW APPLICABLE RAILROAD LOCKOUT - TAGOUT PROCEDURES TO DISABLE ENERGY SOURCES WHEN PERFORMING MAINTENANCE, MAKING ADJUSTMENTS OR REPAIRS TO THE VEHICLE OR EQUIPMENT. FAILURE TO HEED THIS WARNING COULD RESULT IN SEVERE BODILY INJURY.**

Information

The HR1500 Series C Guide Wheel Unit mounting brackets are installed using the threaded holes in the OEM Hitch Assembly Frame. If the Hitch is being removed and not being re-installed on the truck, then #5107599 Hitch Replacement Kit is required to mount the brackets. This kit includes replacement plates with appropriate threaded nuts that will be used for the mounting brackets.

FIGURE-1
OEM TOWING HITCH MOUNTING

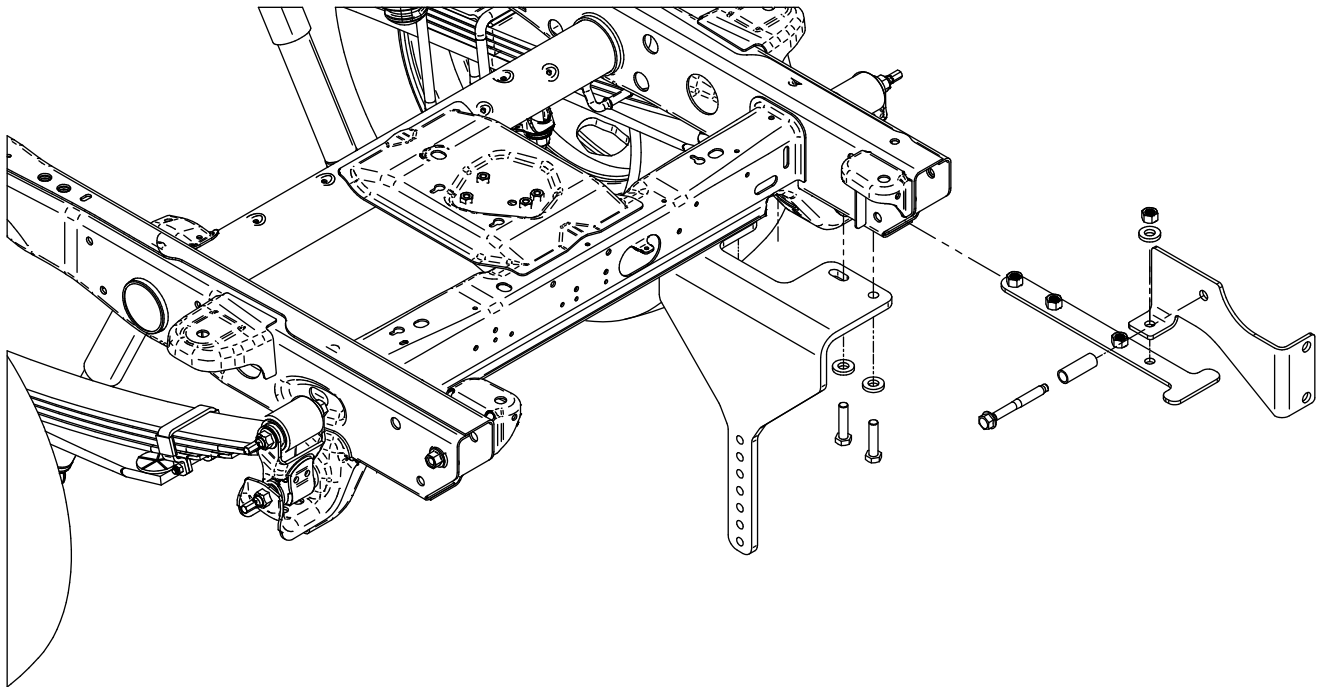


Information

The #5107599 Hitch Replacement Kit provides replacement plates with appropriate threaded nuts. In addition, the kit provides replacement brackets to mount the OEM bumper if needed.

Note: The OEM hitch provided some support in the center of the bumper that this kit does not provide. When using the supplied brackets, the up-fitter must ensure the bumper has adequate support in the center, around the license plate area.

FIGURE-2
5107599 HITCH REPLACEMENT KIT AND MOUNTING BRACKETS
RIGHT SIDE PARTS SHOWN



© 2020 HARSCO CORPORATION, ALL RIGHTS RESERVED

306 West 4th Street
Fairmont, MN
56031-1837
Tel: (507) 235-7376
Fax: (507) 235-7372

2401 Edmund Road, Box 20
Cayce-West Columbia, SC
29171-0020
Tel: (803) 822-9160
Fax: (803) 822-7403

200 South Jackson Road
Ludington, MI
49431
Tel: (231) 843-3431
Fax: (231) 843-1644

Printed In USA